



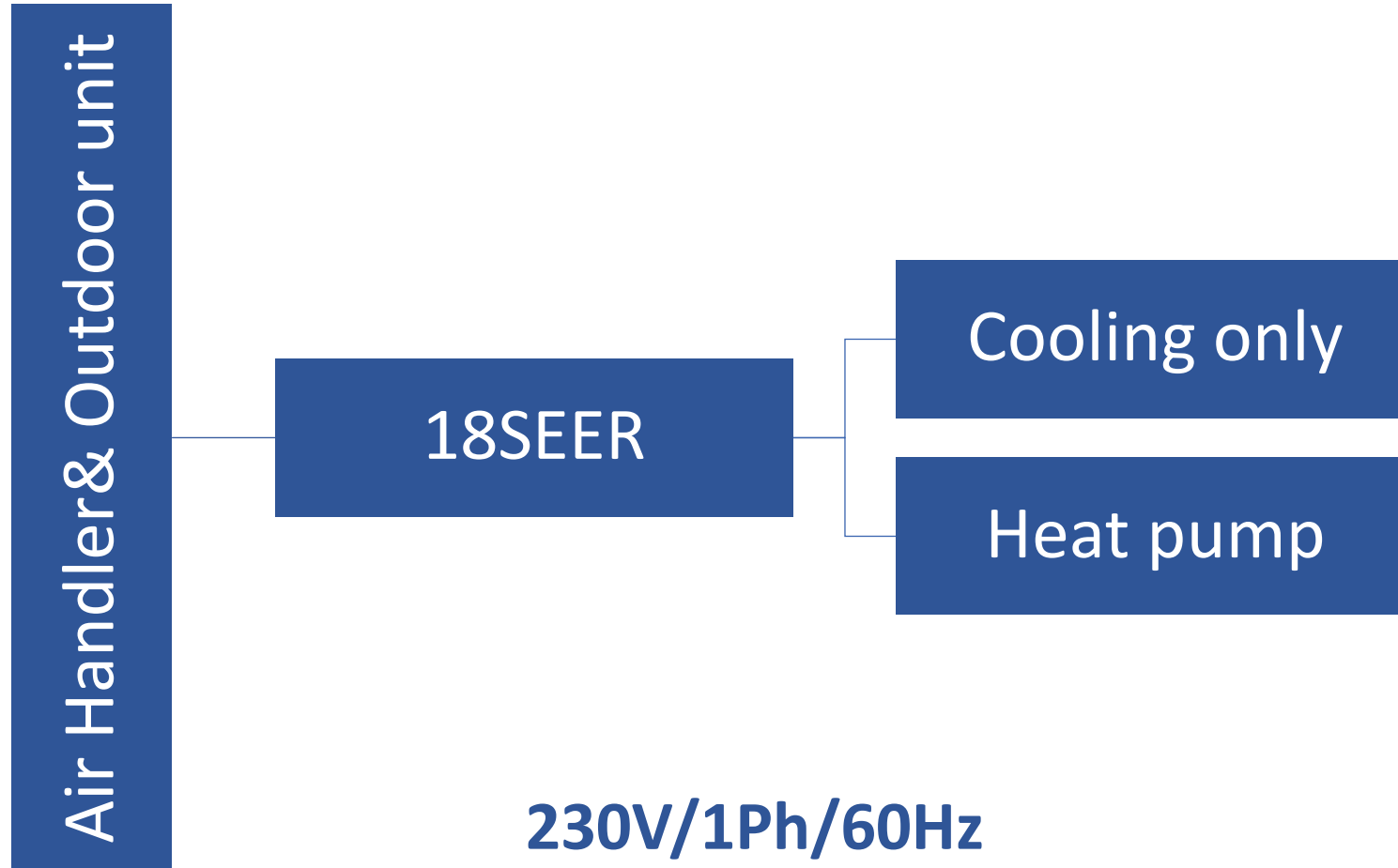
*Condensing Unit*  
*18 SEER*

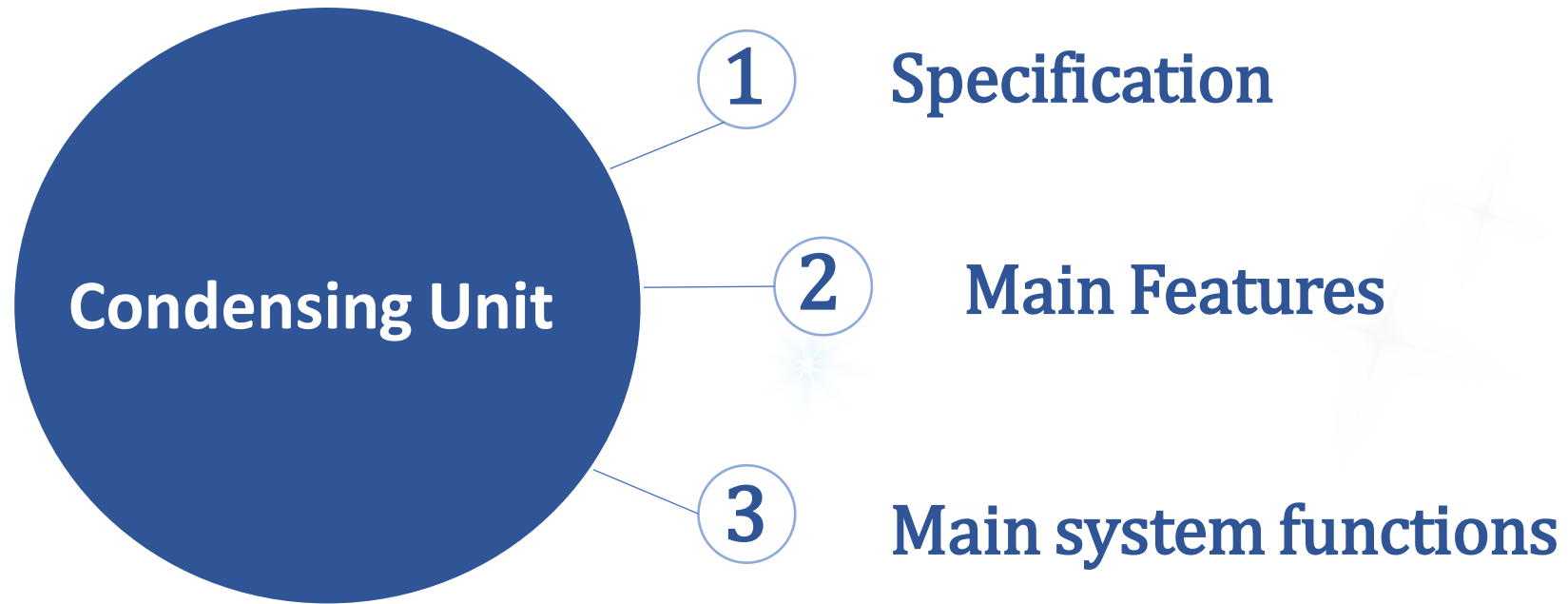
**CAN-A**

**HVAC**



## Condensing Unit





# Specification (Cooling Only)

Model	Capacity (Btu/h)	SEER	Compressor Type	Outdoor dimension Unit (WxHxD) (inch)	Liquid side (inch)	Gas side (inch)	Air flow (CFM)
CS4C-24T1-18	24000	17.5	Twin-rotary DC	29-1/8×25×29-1/8	Φ3/8	Φ3/4	2400
CS4C-36T1-18	36000	17.5	Twin-rotary DC	29-1/8×25×29-1/8	Φ3/8	Φ3/4	2950
CS4C-48T1-18	47000	17.5	Twin-rotary DC	29-1/8×32-7/8×29-1/8	Φ3/8	Φ7/8	4100
CS4C-60T1-18	56000	17.5	Twin-rotary DC	29-1/8×32-7/8×29-1/8	Φ3/8	Φ7/8	4100

# Specification (Heat pump)

Model	Capacity (Btu/h)	SEER	Compressor Type	Outdoor dimension Unit (WxHxD) (inch)	Liquid side (inch)	Gas side (inch)	Air flow (CFM)
CS4H-24T1-18	24000	17.5	Twin-rotary DC	29-1/8×25×29-1/8	Φ3/8	Φ3/4	2400
CS4H-36T1-18	34500	17.5	Twin-rotary DC	29-1/8×25×29-1/8	Φ3/8	Φ3/4	2950
CS4H-48T1-18	47000	17.5	Twin-rotary DC	29-1/8×32-7/8×29-1/8	Φ3/8	Φ7/8	4100
CS4H-60T1-18	56000	17.5	Twin-rotary DC	29-1/8×32-7/8×29-1/8	Φ3/8	Φ7/8	4100

# Main Features



R-410A

- ◆ R-410A environmentally friendly refrigerant.
- ◆ Painted galvanized steel cabinet.
- ◆ Various coil guard optional, Basic coil guard is louvered steel.



# Main Features

- ◆ 24V low voltage control.
- ◆ ETL Listed.
- ◆ Wide operation temperature range:

Cooling range: **64°F-109°F**

Heating range: **19°F-109°F**

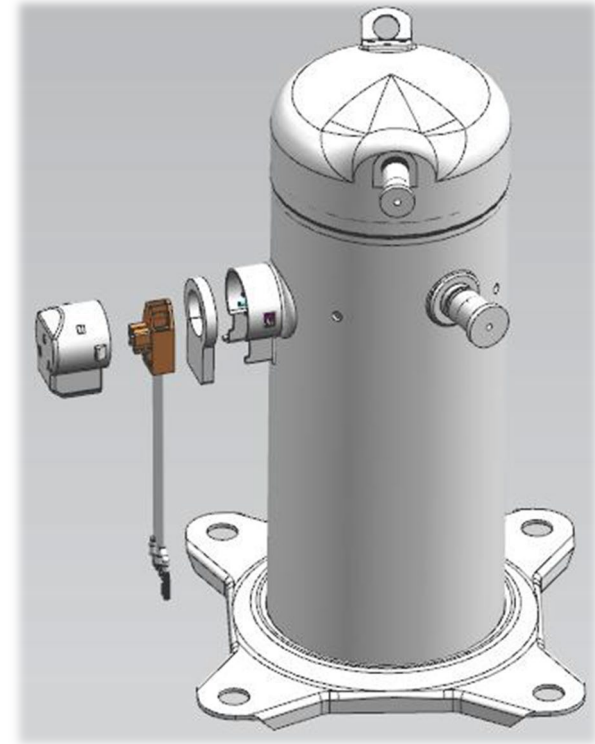




# Main Features

## High Efficiency Inverter Compressor:

- ◆ 24-36K is using **GMCC** compressor
- ◆ 48-60K is using **LG** compressor



**GMCC**

# Main Features

## High Efficiency Fan Motor :

◆ 24-36K outdoor units adopt **AC** motor

◆ 48-60K outdoor units adopt **DC** motor



# Main Features

- ◆ Condenser coils constructed with copper tubing and enhanced aluminum fins.
- ◆ Intelligent defrost programs, unit will choose different defrost program according to real condition.
- ◆ Multi protections to avoid unit broken.

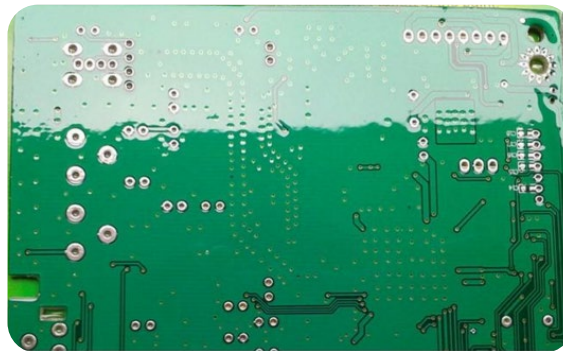


# Main Features

◆ Anticorrosion choice:



**Golden fin**



**Intensified moisture proof PCB**



**Thick sprayed metal plate**

# Multi Protections

## ◆ Sensor T3 (condenser pipe temperature)

When open-circuit or short-circuit, compressor, outdoor fan motor and reverse valve will be OFF.

## ◆ Discharge temperature protection

When discharge temp. too high, compressor will stop.



Thank you