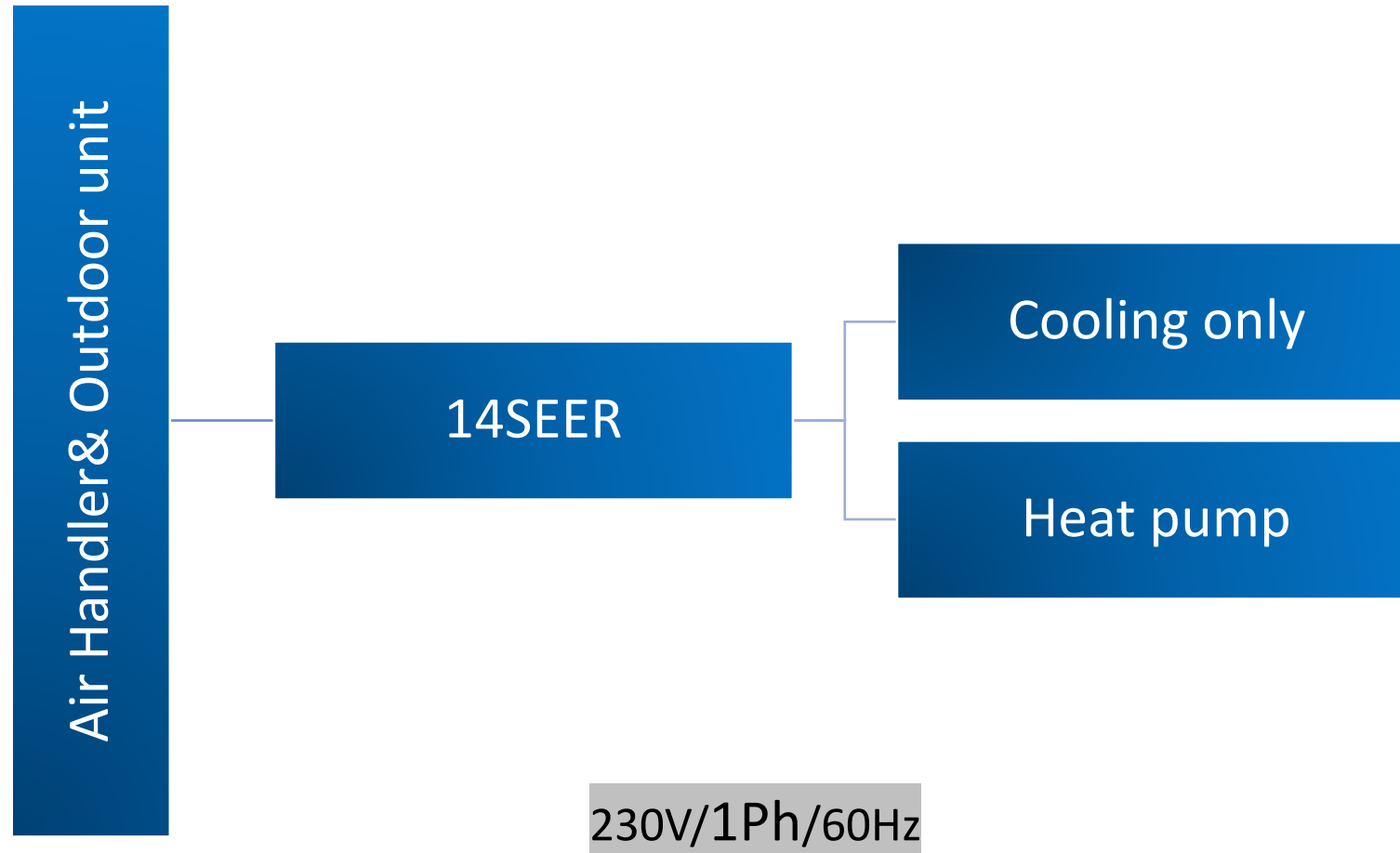
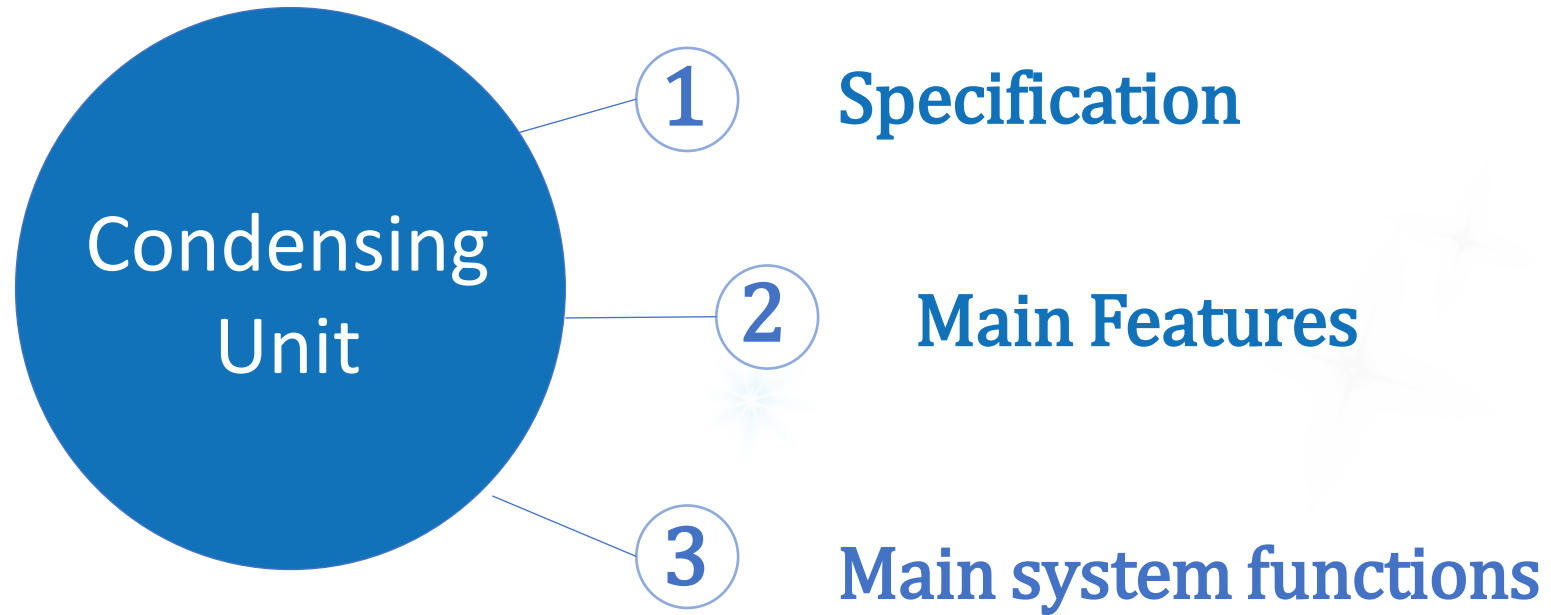


# 14SEER Top Discharge Unit

---







## Specification (Cooling only type)



Model	Capacity (Btu/h)	SEER ( AHRI Certified)	Compressor Type	Outdoor dimension Unit (WxHxD) (inch)	Liquid side (inch)	Gas side (inch)	Max. refrigerant pipe length (ft)	Max. difference in level (ft)
CS4C-18-1-14	18000	14	rotary	22×22×25	Φ3/8	Φ3/4	65 39/64	32 13/16
CS4C-24T-1-14	24000	14	rotary	22×22×25	Φ3/8	Φ3/4	65 39/64	32 13/16
CS4C-30T-1-14	30000	14	rotary	29×29×25	Φ3/8	Φ3/4	65 39/64	32 13/16
CS4C-36T-1-14	34500	14	rotary	29×29×25	Φ3/8	Φ3/4	65 39/64	32 13/16
CS4C-42T-1-14	42000	14	scroll	29×29×33	Φ3/8	Φ3/4	65 39/64	32 13/16
CS4C-48T-1-14	48000	14	scroll	29×29×33	Φ3/8	Φ3/4	65 39/64	32 13/16
CS4C-60T-1-14	57000	14	scroll	29×29×33	Φ3/8	Φ55/64	65 39/64	32 13/16

# Specification (Heat pump type)



Model	Capacity (Btu/h)	SEER ( AHRI Certified)	Compressor Type	Outdoor dimension Unit (WxHxD) (inch)	Liquid side (inch)	Gas side (inch)	Max. refrigerant pipe length (ft)	Max. difference in level (ft)
CS4H-18T-1-14	18000/17200	14	rotary	22×22×25	Φ3/8	Φ3/4	65 39/64	32 13/16
CS4H-24T-1-14	24000/22200	14	rotary	22×22×25	Φ3/8	Φ3/4	65 39/64	32 13/16
CS4H-30T-1-14	30000/28600	14	rotary	29×29×25	Φ3/8	Φ3/4	65 39/64	32 13/16
CS4H-36T-1-14	34000/33500	14	rotary	29×29×25	Φ3/8	Φ3/4	65 39/64	32 13/16
CS4H-42T-1-14	41000/40000	14	scroll	29×29×33	Φ3/8	Φ3/4	65 39/64	32 13/16
CS4H-48T-1-14	47000/46000	14	scroll	29×29×33	Φ3/8	Φ3/4	65 39/64	32 13/16
CS4H-60T-1-14	56000/55000	14	scroll	29×29×33	Φ3/8	Φ55/64	65 39/64	32 13/16

# Main Features

- ❑ R-410A environmentally friendly refrigerant.
- ❑ Painted galvanized steel cabinet.
- ❑ Various coil guard optional, Basic coil guard is louvered steel, it is acceptable to customize plastic or wires netting.

R-410A



# Main Features

- ❑ 24V low voltage control.
- ❑ ETL Listed.
- ❑ Wide operation temperature range:

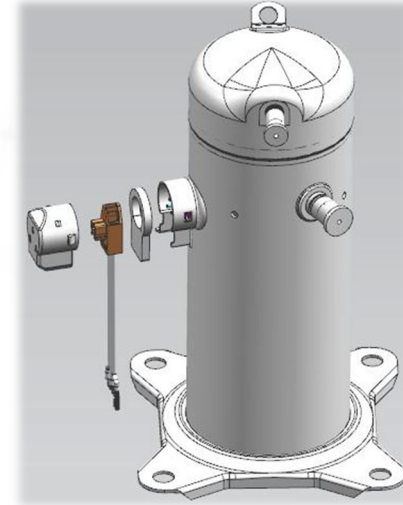
Cooling range: 64°F-109°F

Heating range: 19°F-109°F



# Main Features

- ❑ Well known brand fixed compressor, reliable quality
- ❑ Condenser coils constructed with copper tubing and enhanced aluminum fins.
- ❑ AC motor is adopted, which is single speed.
- ❑ Intelligent defrost programs, unit will choose different defrost program according to real condition.
- ❑ Multi protections to avoid unit broen.



**HIGHLY**



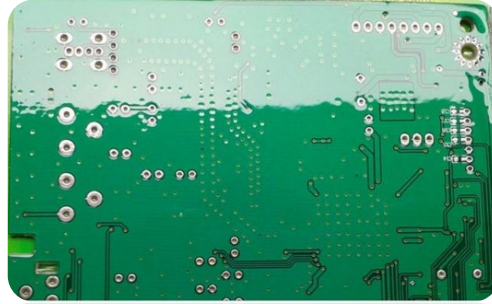


# Main Features

## □ Anticorrosion choice:



**Golden fin**



**Intensified moisture proof PCB**



**Thick sprayed metal plate**

# Multi Functions

- ❑ Sensor T3(condenser pipe temperature)

When open-circuit or short-circuit, compressor, outdoor fan motor and reverse valve will be OFF.

- ❑ Discharge temperature protection

When discharge temp. too high, compressor will stop.



# Multi Functions

## □ High pressure protection

When high pressure  $> 4.5\text{Mpa}$ , compressor and outdoor fan motor will stop.

When high pressure  $< 3.8\text{Mpa}$ , compressor and outdoor fan will restart.

## □ Low Pressure Protection

Low pressure  $< 0.15\text{Mpa}$ , compressor and outdoor fan motor will stop.

Low pressure  $> 0.3\text{Mpa}$ , compressor and outdoor fan motor will restart .

## □ Principle Protection

In stand-by status, the compressor will not start in low pressure protection.

In 20mins, if 3 times protection occurs, it will restore after power cut-down.



THANK YOU